

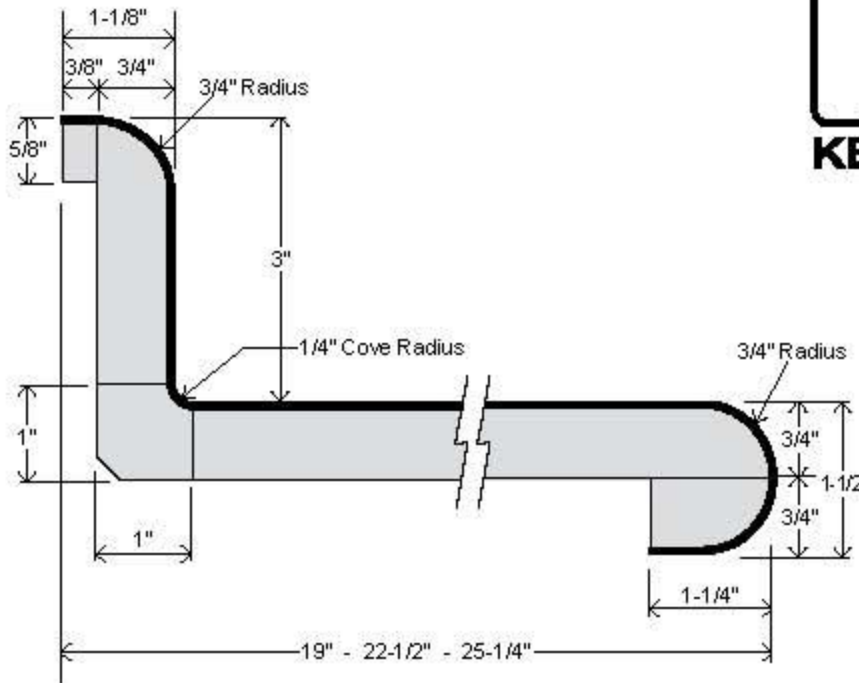
HARTSON



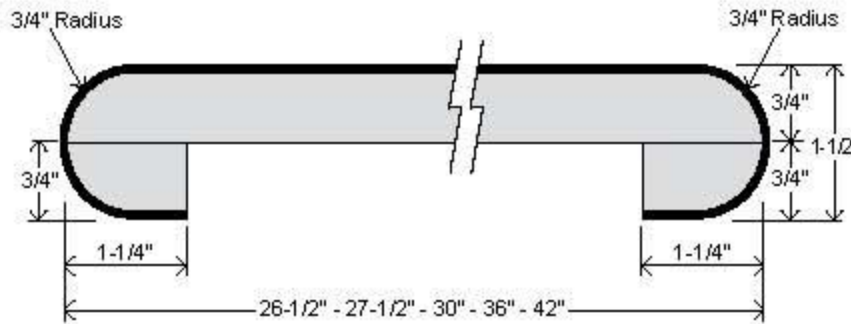
# E-TOP #1500 (EUROPEAN STYLE)

## FEATURES

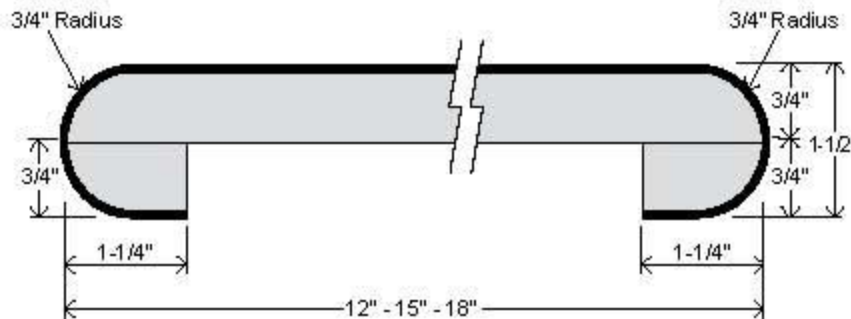
- 180° front nose, 1-1/2" thick, the European look
- 1/4" cove radius for easy cleaning
- Featuring 1" x 1" cove molding
- 3/8" MDF scribe for fitting out-of-square walls
- 1-1/4" front build-up for floating countertop installation
- Kitchen and vanity tops feature 3" backsplash
- All bars feature 180° wrap both sides
- Flat deck tops have 180° wrap front side, unfinished back side



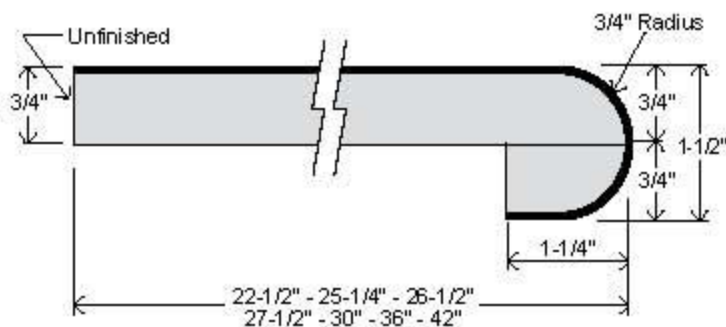
**KITCHEN & VANITY TOP**  
EMV 19  
EMV 22-1/2  
EMK 25-1/4



**BAR TOP**  
EMB 26-1/2  
EMB 27-1/2  
EMB 30  
EMB 36  
EMB 42



**BAR TOP**  
EMB 12  
EMB 15  
EMB 18



**FLAT DECK TOP**  
EMF 22-1/2  
EMF 25-1/4  
EMF 26-1/2  
EMF 27-1/2  
EMF 30  
EMF 36  
EMF 42

**Kitchen & Bath**  
WHOLESALE  
A Division of American Metal Moulding Corp.

1801 N. American Street  
Philadelphia, PA 19122

Ph (215) 634-3100

Fax (215) 634-6834

[www.kbkitchenbath.com](http://www.kbkitchenbath.com)

Unsurpassed professional quality . . . the trademark of

Form # SDG-248E  
Rev. 3/23/10 S

HARTSON-KENNEDY



surfaces for living.